

Recommended P.C.B Layout

**Specifications:**

Current Rating: 3.0A AC/DC  
 Voltage rating: 350V AC/DC  
 Temperature range: -25°C to +85°C  
 Contact resistance: 20mΩ max.  
 Insulation resistance: 1000M min.  
 Withstand voltage: 500V AC/minute  
 Package: 800pcs / reel

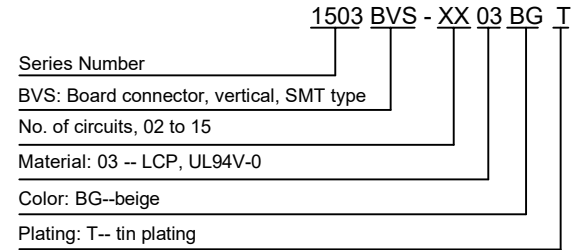
**Material:**

Housing: LCP, UL94V-0, beige  
 PIN: brass

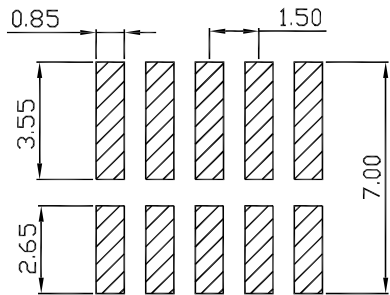
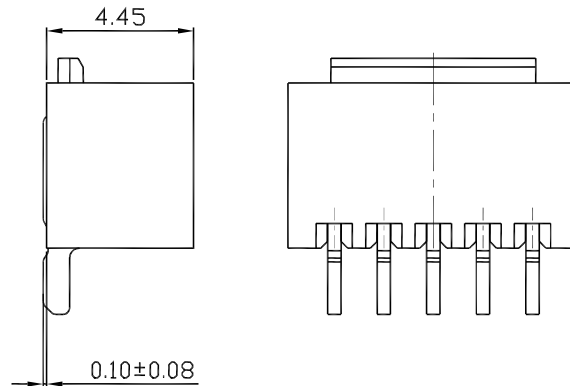
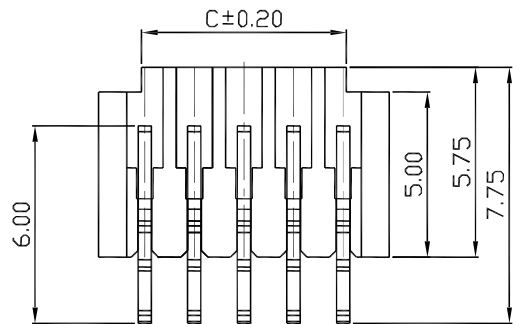
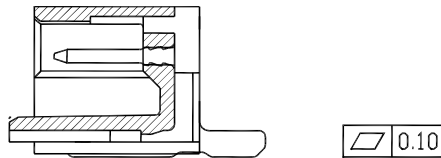
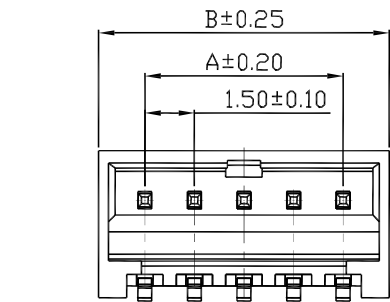
Circuits	Dimensions (mm)		
	A	B	C
2	1.50	4.30	3.40
3	3.00	5.80	4.90
4	4.50	7.30	6.40
5	6.00	8.80	7.90
6	7.50	10.30	9.40
7	9.00	11.80	10.90
8	10.50	13.30	12.40
9	12.00	14.80	13.90
10	13.50	16.30	15.40
11	15.00	17.80	16.90
12	16.50	19.30	18.40
13	18.00	20.80	19.90
14	19.50	22.30	21.40
15	21.00	23.80	22.90

Mates with: 1503W (wire connector, female, single row)

**Part Number Information:**



Date	Version	EC No.	Description	DRWN	CH'K	APPR	General Tolerance	Zeakka Electronics				Document No.:	ZK-1503BVS		
							.X ±0.3	APPR	CH'K	DRWN	Date	Dimensions	Scale	Version	
							.XX ±0.2	Kai Lee	Cris Wang	Jun Wei	2020.8.7	mm	1:1	A	
							.XXX ±0.1								
							THIRD ANGLE PROJECTION								



Recommand PCB Layout

**Specifications:**

Current Rating: 3.0A AC/DC  
 Voltage rating: 350V AC/DC  
 Temperature range: -25°C to +85°C  
 Contact resistance: 20mΩ max.  
 Insulation resistance: 1000M min.  
 Withstand voltage: 500V AC/minute  
 Package: 800pcs / reel

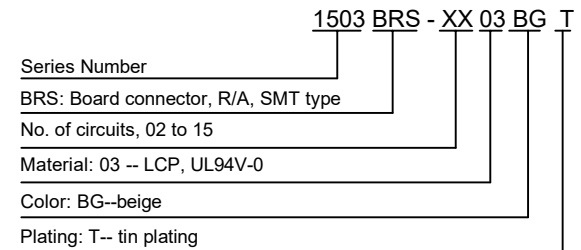
**Material:**

Housing: LCP, UL94V-0, beige  
 PIN: brass

Circuits	Dimensions (mm)		
	A	B	C
2	1.50	4.30	1.70
3	3.00	5.80	3.20
4	4.50	7.30	4.70
5	6.00	8.80	6.20
6	7.50	10.30	7.70
7	9.00	11.80	9.20
8	10.50	13.30	10.70
9	12.00	14.80	12.20
10	13.50	16.30	13.70
11	15.00	17.80	15.20
12	16.50	19.30	16.70
13	18.00	20.80	18.20
14	19.50	22.30	19.70
15	21.00	23.80	21.20

**Mates with:** 1503W (wire connector, female, single row)

**Part Number Information:**



							General Tolerance	Zeakka Electronics				Document No.: ZK-1503BRS		
							.X ±0.3					Title: HEADER, R/A, SMT TYPE, SINGLE ROW, 1.50MM PITCH, TIN		
							.XX ±0.2	APPR	CH'K	DRWN	Date	Dimensions	Scale	Version
Date	Version	EC No.	Description	DRWN	CH'K	APPR	.XXX ±0.1	Kai Lee	Cris Wang	Jun Wei	2020.8.7	mm	1:1	A
							THIRD ANGLE PROJECTION							

Circuits	Dimensions (mm)			
	A	B	C	D
2	1.50	4.30	3.20	3.60
3	3.00	5.80	4.70	5.10
4	4.50	7.30	6.20	6.60
5	6.00	8.80	7.70	8.10
6	7.50	10.30	9.20	9.60
7	9.00	11.80	10.70	11.10
8	10.50	13.30	12.20	12.60
9	12.00	14.80	13.70	14.10
10	13.50	16.30	15.20	15.60
11	15.00	17.80	16.70	17.10
12	16.50	19.30	18.20	18.60
13	18.00	20.80	19.70	20.10
14	19.50	22.30	21.20	21.60
15	21.00	23.80	22.70	23.10

**Specifications:**

Current Rating: 3.0A AC/DC  
 Voltage rating: 350V AC/DC  
 Temperature range: -25°C to +85°C  
 Contact resistance: 20mΩ max.  
 Insulation resistance: 1000M min.  
 Withstand voltage: 500V AC/minute  
 Package: 1000pcs / bag

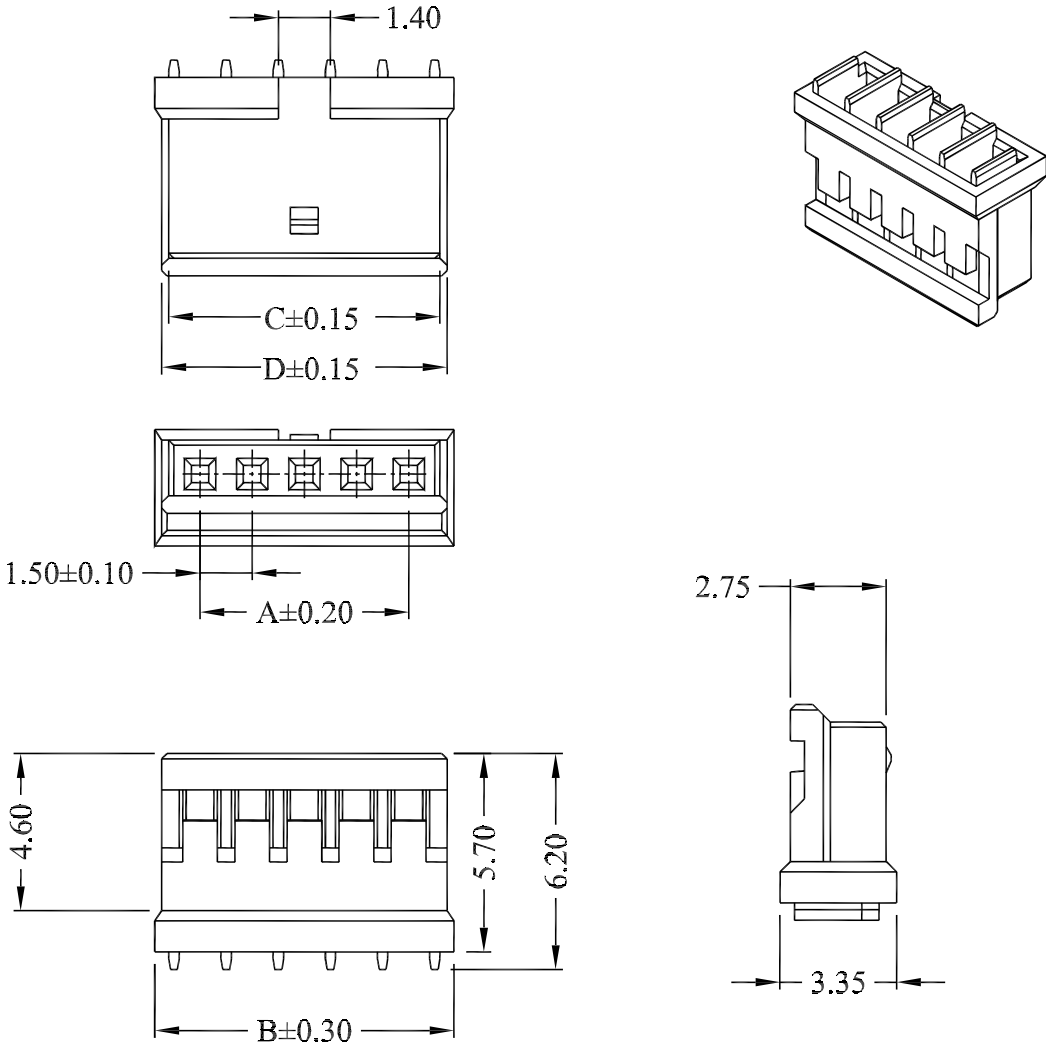
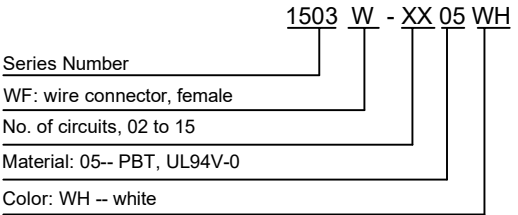
**Material:**

Housing: PBT, UL94V-0, white

**Mates with:** 1503BVS (header, vertical, SMT type)  
 1503BRS (header, R/A, SMT type)

**Used with:** 1503TF-PT (female terminal)

**Part Number Information:**



							General Tolerance	<b>Zeakka Electronics</b>				Document No.: ZK-1503W		
							.X ±0.3					Title: HOUSING, FEMALE, CRIMP TYPE, SINGLE ROW, 1.50MM PITCH		
							.XX ±0.2	APPR	CH'K	DRWN	Date	Dimensions	Scale	Version
Date	Version	EC No.	Description	DRWN	CH'K	APPR	.XXX ±0.1	Kai Lee	Cris Wang	Jun Wei	2020.8.7	mm	1:1	A
							THIRD ANGLE PROJECTION							

**Specifications:**

Current Rating: 3.0A AC/DC  
 Voltage rating: 250V AC/DC  
 Temperature range: -25°C to +85°C  
 Contact resistance: 20mΩ max.  
 Insulation resistance: 1000M min.  
 Withstand voltage: 500V AC/minute  
 Applicable wire: AWG28 - AWG24  
 Insulation OD: max 1.10mm  
 Package: 10000pcs / reel

**Material:**

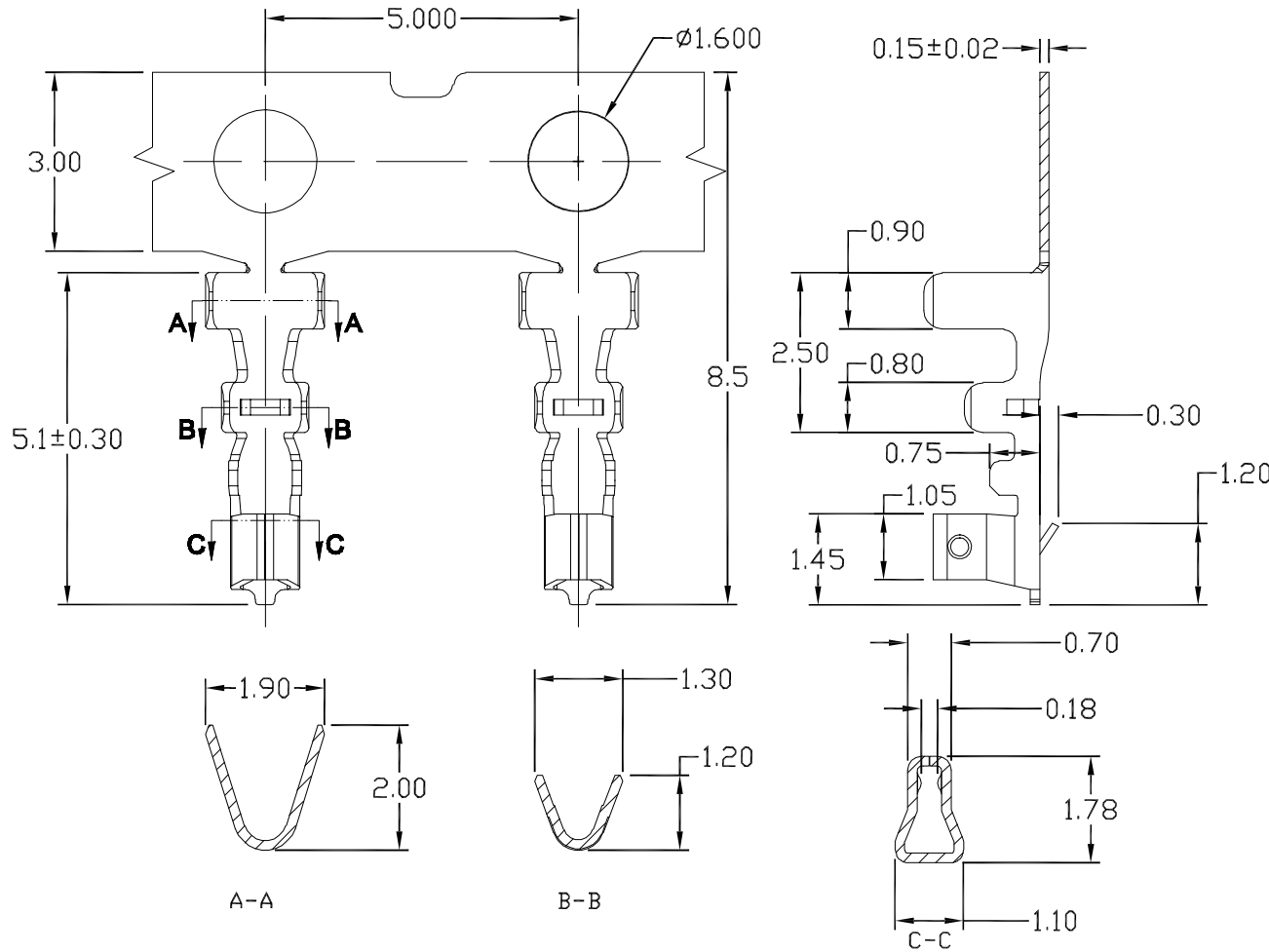
Phosphor bronze

**Used with:** 1503W (female housing)

**Part Number Information:**

**1503 TF - P T**

Series Number \_\_\_\_\_  
 TF: terminal, female \_\_\_\_\_  
 Material: P -- phosphor bronze \_\_\_\_\_  
 Plating: T -- tin plating \_\_\_\_\_



							General Tolerance	<b>Zeakka Electronics</b>				Document No.: ZK-1503TF		
							.X $\pm 0.3$					Title: TERMINAL, FEMALE, CRIMP TYPE, PHOSPHOR BRONZE, TIN, REEL		
							.XX $\pm 0.2$					APPR	CH'K	DRWN
Date	Version	EC No.	Description	DRWN	CH'K	APPR	THIRD ANGLE PROJECTION	Kai Lee	Cris Wang	Jun Wei	2020.8.7	mm	1:1	A
							.XXX $\pm 0.1$							