

Specifications:

Current Rating: 3.0A AC/DC
 Voltage rating: 250V AC/DC
 Temperature range: -25°C to +85°C
 Contact resistance: 10mΩ max.
 Insulation resistance: 1000MΩ min.
 Withstand voltage: 800V AC/minute

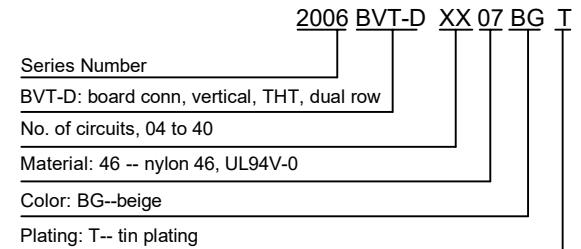
Material:

Housing: nylon 46, UL94V-0, beige
 PIN: brass

Circuits	Dimensions (mm)		
	A	B	C
4	2.00	6.00	4.70
6	4.00	8.00	6.70
8	6.00	10.00	8.70
10	8.00	12.00	10.70
12	10.00	14.00	12.70
14	12.00	16.00	14.70
16	14.00	18.00	16.70
18	16.00	20.00	18.70
20	18.00	22.00	20.70
22	20.00	24.00	22.70
24	22.00	26.00	24.70
26	24.00	28.00	26.70
28	26.00	30.00	28.70
30	28.00	32.00	30.70
32	30.00	34.00	32.70
34	32.00	36.00	34.70
36	34.00	38.00	36.70
40	38.00	42.00	40.70

Mates with: 2006W-D (wire connector, female, dual row)

Part Number Information:



							General Tolerance	<h1>Zeakka Electronics</h1>				Document No.: ZK-2006BVT-D						
							.X ±0.3					Title: HEADER, VERTICAL, THT TYPE, DUAL ROW, 2.0MM PITCH, TIN						
							.XX ±0.2					APPR	CH'K	DRWN	Date	Dimensions	Scale	Version
							.XXX ±0.1					Kai Lee	Cris Wang	Jun Wei	2020.8.8	mm	1:1	A
Date	Version	EC No.	Description	DRWN	CH'K	APPR	THIRD ANGLE PROJECTION											

Circuits	Dimensions (mm)	
	A	B
8	6.00	10.00
10	8.00	12.00
12	10.00	14.00
14	12.00	16.00
16	14.00	18.00
18	16.00	20.00
20	18.00	22.00
22	20.00	24.00
24	22.00	26.00
26	24.00	28.00
28	26.00	30.00
30	28.00	32.00
32	30.00	34.00
34	32.00	36.00
36	34.00	38.00
40	38.00	42.00

Specifications:

Current Rating: 3.0A AC/DC
Voltage rating: 250V AC/DC
Temperature range: -25°C to +85°C
Contact resistance: 10mΩ max.
Insulation resistance: 1000MΩ min.
Withstand voltage: 800V AC/minute

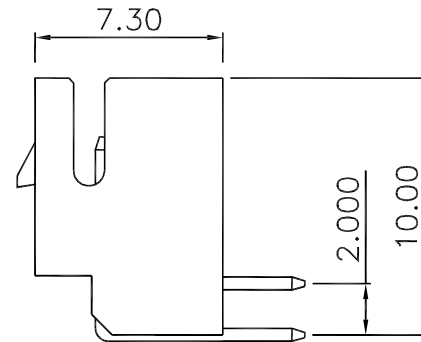
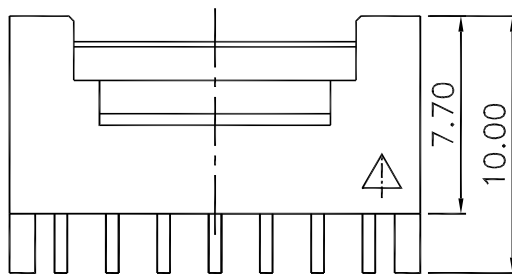
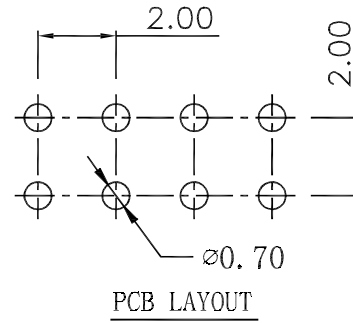
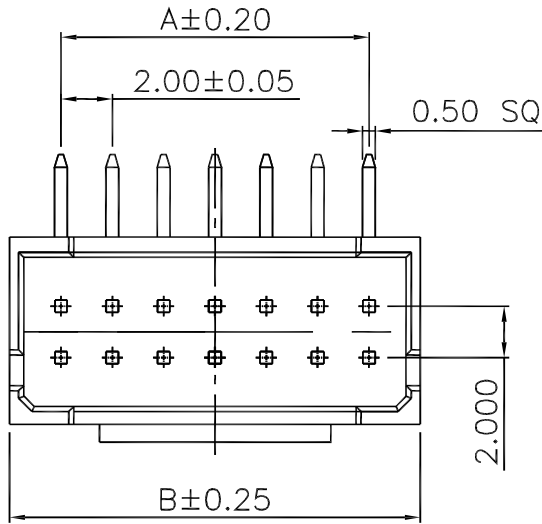
Material:

Housing: nylon 46, UL94V-0, beige
PIN: brass

Mates with: 2006W-D (wire connector, female, dual row)

Part Number Information:

Series Number: 2006 BRT-D XX 06 BG T
BRT-D: Board conn, R/A, THT, dual row
No. of circuits, 08 to 40
Material: 46 -- nylon 46, UL94V-0
Color: BG--beige
Plating: T-- tin plating



							General Tolerance	Zeakka Electronics				Document No.: ZK-2006BRT-D		
							.X ±0.3					Title: HEADER, R/A, THT TYPE, DUAL ROW, 2.0MM PITCH, TIN		
							.XX ±0.2	APPR	CH'K	DRWN	Date	Dimensions	Scale	Version
Date	Version	EC No.	Description	DRWN	CH'K	APPR	.XXX ±0.1	Kai Lee	Cris Wang	Jun Wei	2020.8.8	mm	1:1	A
							THIRD ANGLE PROJECTION							

Specifications:

Current Rating: 3.0A AC/DC
 Voltage rating: 250V AC/DC
 Temperature range: -25°C to +85°C
 Contact resistance: 10mΩ max.
 Insulation resistance: 1000MΩ min.
 Withstand voltage: 800V AC/minute

Material:

Housing: nylon 66, UL94V-0, white

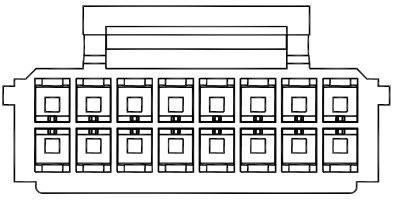
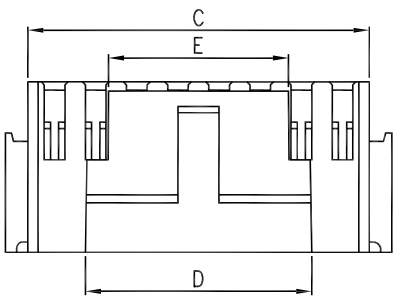
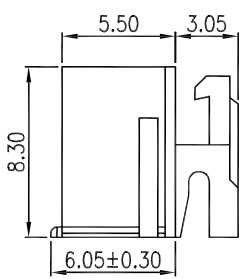
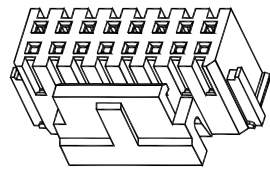
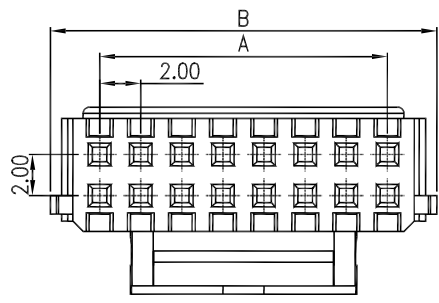
Mates with: 2006BVT-D (header, vertical, THT type, dual row)
 2006BRT-D (header, R/A, THT type, dual row)

Used with: 2006TFD-PT (female terminal for dual row wire connector)

Part Number Information:

2006 W-D XX 00 WH

Series Number
 W-D: wire connector, dual row
 No. of circuits, 04 to 40
 Material: 00-- nylon 66, UL94V-0
 Color: WH -- white



							General Tolerance	<h1>Zeakka Electronics</h1>				Document No.: ZK-2006W-D		
							.X ±0.3					Title: HOUSING, FEMALE, CRIMP TYPE, DUAL ROW, 2.0MM PITCH		
							.XX ±0.2					APPR	CH'K	DRWN
Date	Version	EC No.	Description	DRWN	CH'K	APPR	.XXX ±0.1	Kai Lee	Cris Wang	Jun Wei	2020.8.8	mm	1:1	A
							THIRD ANGLE PROJECTION							

Specifications:

Current Rating: 3.0A AC/DC
 Voltage rating: 250V AC/DC
 Temperature range: -25°C to +85°C
 Contact resistance: 10mΩ max.
 Insulation resistance: 1000MΩ min.
 Withstand voltage: 800V AC/minute
 Applicable wire: AWG28 - AWG22
 Insulation OD: max 1.50mm

Material:

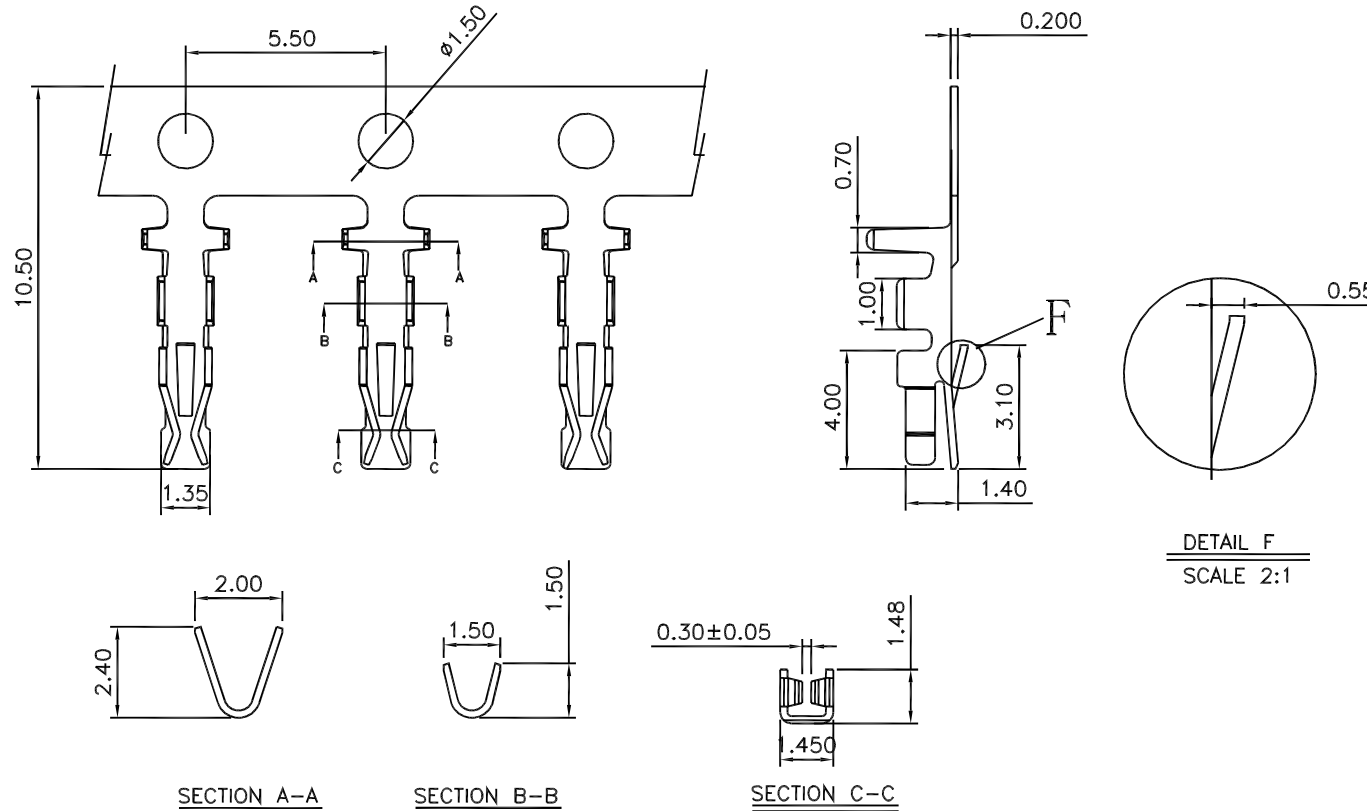
Phosphor bronze

Used with: 2006W-D (wire connector, dual row)

Part Number Information:

2006 TFD - P T

Series Number _____
 TFD: terminal, for dual row wire conn _____
 Material: P -- phosphor bronzne _____
 Plating: T -- tin plating _____



							General Tolerance	<h1>Zeakka Electronics</h1>				Document No.: ZK-2006TFD-PT						
							.X ±0.3					Title: TERMINAL, FEMALE, CRIMP TYPE, PHOSPHOR BRONZE, TIN, REEL						
							.XX ±0.2					APPR	CH'K	DRWN	Date	Dimensions	Scale	Version
							.XXX ±0.1					Kai Lee	Cris Wang	Jun Wei	2020.8.8	mm	1:1	A
Date	Version	EC No.	Description	DRWN	CH'K	APPR	THIRD ANGLE PROJECTION											