

Specifications:

Current Rating: 3.0A AC/DC
 Voltage rating: 250V AC/DC
 Temperature range: -25°C to +85°C
 Contact resistance: 30mΩ max.
 Insulation resistance: 1000MΩ min.
 Withstand voltage: 1000V AC/minute
 Package: tape & reel

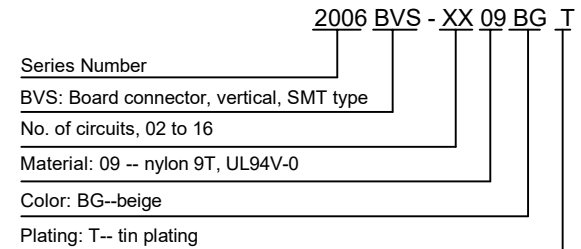
Circuits	Dimensions (mm)	
	A	B
2	2.00	8.00
3	4.00	10.00
4	6.00	12.00
5	8.00	14.00
6	10.00	16.00
7	12.00	18.00
8	14.00	20.00
9	16.00	22.00
10	18.00	24.00
11	20.00	26.00
12	22.00	28.00
13	24.00	30.00
14	26.00	32.00
15	28.00	34.00
16	30.00	36.00

Material:

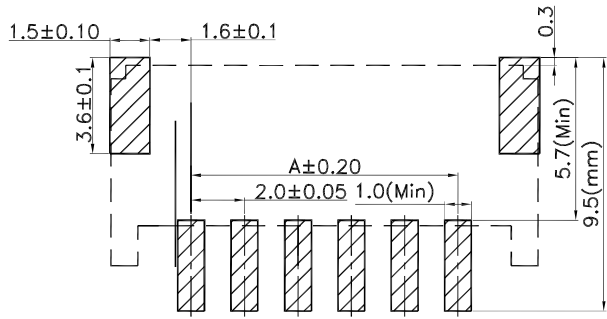
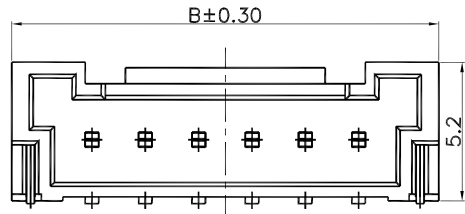
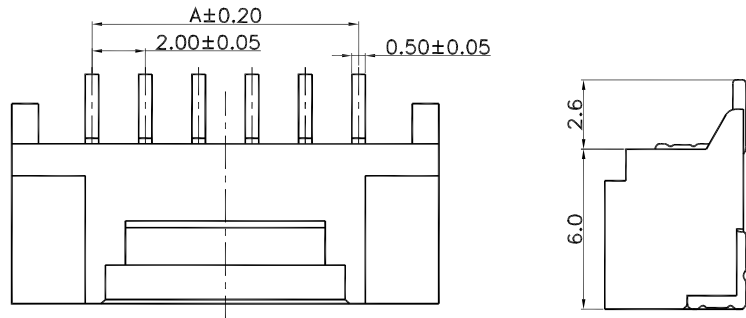
Housing: nylon 9T, UL94V-0, beige
 PIN: brass
 Solder tab: phosphor bronze

Mates with: 2006W-S (wire connector, single row)

Part Number Information:



							General Tolerance	Zeakka Electronics				Document No.: ZK-2006BVS		
							.X ±0.3					Title: HEADER, VERTICAL, SMT TYPE, SINGLE ROW, 2.0MM PITCH, TIN		
							.XX ±0.2	APPR	CH'K	DRWN	Date	Dimensions	Scale	Version
Date	Version	EC No.	Description	DRWN	CH'K	APPR	.XXX ±0.1	Kai Lee	Cris Wang	Jun Wei	2020.8.8	mm	1:1	A
							THIRD ANGLE PROJECTION							



APPLICABLE P. C. B. DIMENSION

Specifications:

Current Rating: 3.0A AC/DC
 Voltage rating: 250V AC/DC
 Temperature range: -25°C to +85°C
 Contact resistance: 30mΩ max.
 Insulation resistance: 1000MΩ min.
 Withstand voltage: 1000V AC/minute
 Package: tape & reel

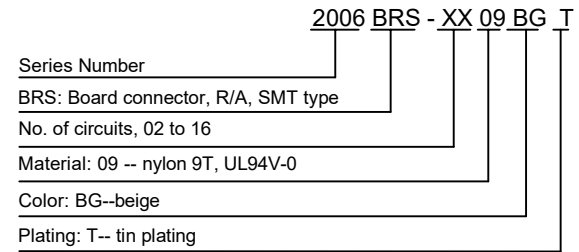
Material:

Housing: nylon 9T, UL94V-0, beige
 PIN: brass
 Solder tab: brass

Circuits	Dimensions (mm)	
	A	B
2	2.00	8.00
3	4.00	10.00
4	6.00	12.00
5	8.00	14.00
6	10.00	16.00
7	12.00	18.00
8	14.00	20.00
9	16.00	22.00
10	18.00	24.00
11	20.00	26.00
12	22.00	28.00
13	24.00	30.00
14	26.00	32.00
15	28.00	34.00
16	30.00	36.00

Mates with: 2006W-S (wire connector, single row)

Part Number Information:



							General Tolerance	Zeakka Electronics				Document No.: ZK-2006BRS		
							.X ±0.3					Title: HEADER, R/A, SMT TYPE, SINGLE ROW, 2.0MM PITCH, TIN		
							.XX ±0.2	APPR	CH'K	DRWN	Date	Dimensions	Scale	Version
Date	Version	EC No.	Description	DRWN	CH'K	APPR	.XXX ±0.1	Kai Lee	Cris Wang	Jun Wei	2020.8.8	mm	1:1	A
							THIRD ANGLE PROJECTION							

Circuits	Dimensions (mm)	
	A	B
2	2.00	6.00
3	4.00	8.00
4	6.00	10.00
5	8.00	12.00
6	10.00	14.00
7	12.00	16.00
8	14.00	18.00
9	16.00	20.00
10	18.00	22.00
11	20.00	24.00
12	22.00	26.00
13	24.00	28.00
14	26.00	30.00
15	28.00	32.00
16	30.00	34.00

Specifications:

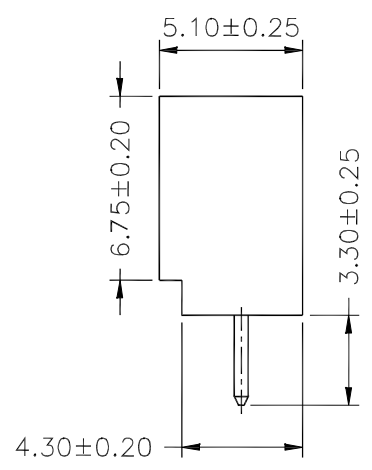
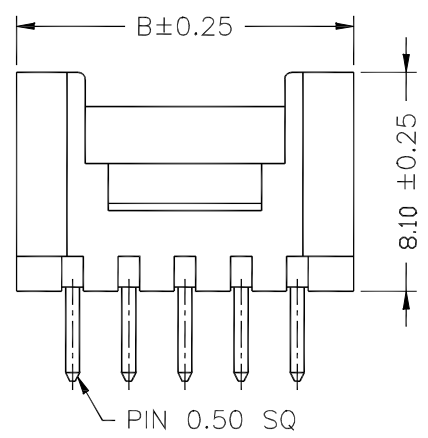
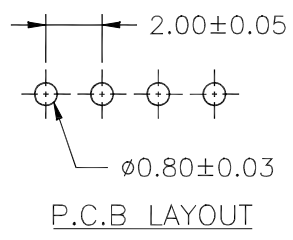
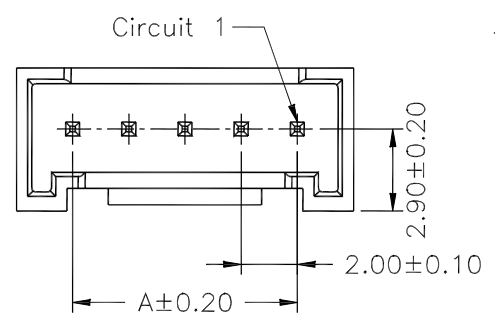
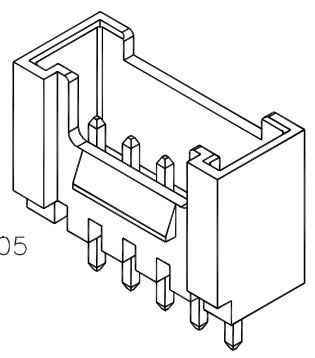
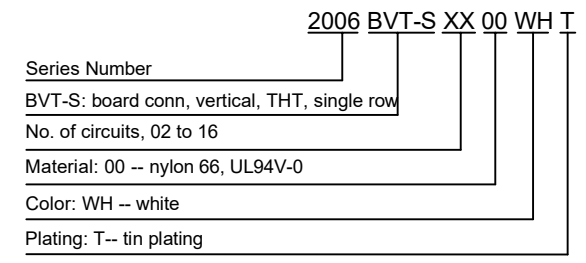
Current Rating: 3.0A AC/DC
Voltage rating: 250V AC/DC
Temperature range: -25°C to +85°C
Contact resistance: 30mΩ max.
Insulation resistance: 1000MΩ min.
Withstand voltage: 1000V AC/minute

Material:

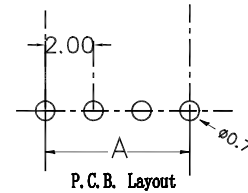
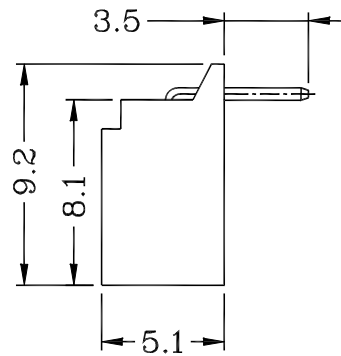
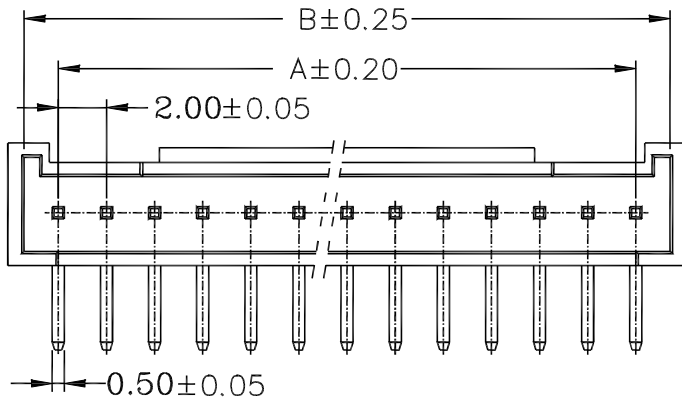
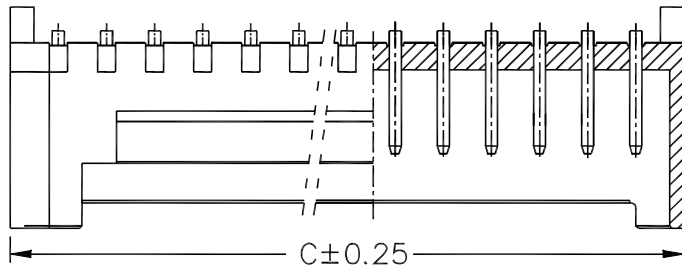
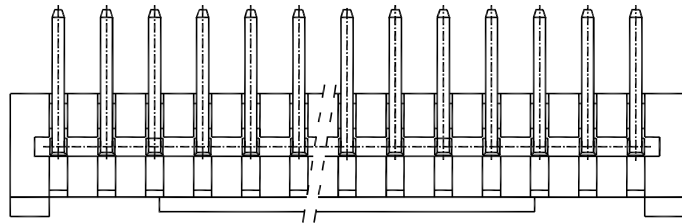
Housing: nylon 66, UL94V-0, white
PIN: brass

Mates with: 2006W-S (wire connector, single row)

Part Number Information:



							General Tolerance	Zeakka Electronics				Document No.: ZK-2006BVT		
							.X ±0.3					Title: HEADER, VERTICAL, THT TYPE, SINGLE ROW, 2.0MM PITCH, TIN		
							.XX ±0.2	APPR	CH'K	DRWN	Date	Dimensions	Scale	Version
Date	Version	EC No.	Description	DRWN	CH'K	APPR	.XXX ±0.1	Kai Lee	Cris Wang	Jun Wei	2020.8.8	mm	1:1	A
							THIRD ANGLE PROJECTION							



Specifications:

Current Rating: 3.0A AC/DC
 Voltage rating: 250V AC/DC
 Temperature range: -25°C to +85°C
 Contact resistance: 30mΩ max.
 Insulation resistance: 1000MΩ min.
 Withstand voltage: 1000V AC/minute

Material:

Housing: nylon 66, UL94V-0, white
 PIN: brass

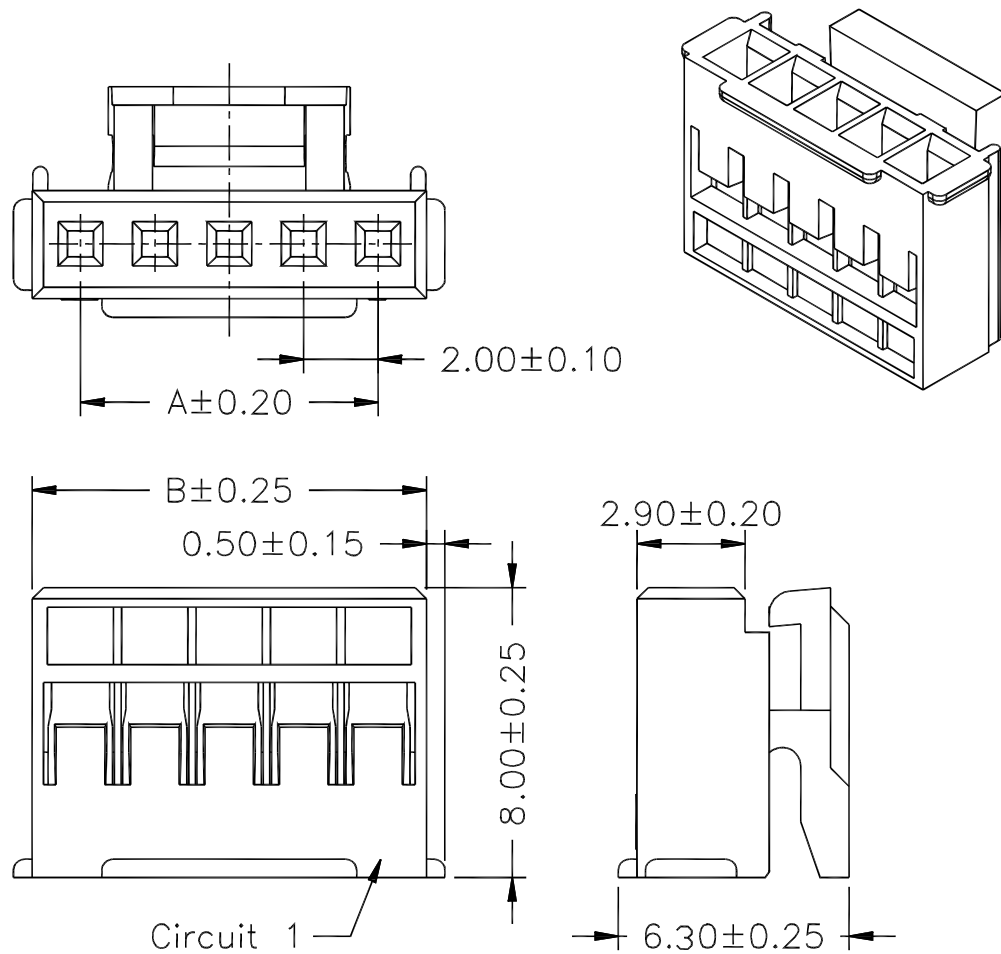
Mates with: 2006W-S (wire connector, single row)

Part Number Information:

Series Number: 2006 BRT-S XX 00 WH T
 BRT: board conn, R/A, THT, single row
 No. of circuits, 02 to 16
 Material: 00 -- nylon 66, UL94V-0
 Color: WH -- white
 Plating: T-- tin plating

Circuits	Dimensions (mm)		
	A	B	C
2	2.00	4.75	6.00
3	4.00	6.75	8.00
4	6.00	8.75	10.00
5	8.00	10.75	12.00
6	10.00	12.75	14.00
7	12.00	14.75	16.00
8	14.00	16.75	18.00
9	16.00	18.75	20.00
10	18.00	20.75	22.00
11	20.00	22.75	24.00
12	22.00	24.75	26.00
13	24.00	26.75	28.00
14	26.00	28.75	30.00
15	28.00	30.75	32.00
16	30.00	32.75	34.00

							General Tolerance	<h1 style="text-align: center;">Zeakka Electronics</h1>				Document No.: ZK-2006BRT-S		
							.X ±0.3					Title: HEADER, R/A, THT TYPE, SINGLE ROW, 2.0MM PITCH, TIN		
							.XX ±0.2					APPR	CH'K	DRWN
Date	Version	EC No.	Description	DRWN	CH'K	APPR	.XXX ±0.1	Kai Lee	Cris Wang	Jun Wei	2020.8.8	mm	1:1	A
							THIRD ANGLE PROJECTION							



Circuits	Dimensions (mm)	
	A	B
2	2.00	4.60
3	4.00	6.60
4	6.00	8.60
5	8.00	10.60
6	10.00	12.60
7	12.00	14.60
8	14.00	16.60
9	16.00	18.60
10	18.00	20.60
11	20.00	22.60
12	22.00	24.60
13	24.00	26.60
14	26.00	28.60
15	28.00	30.60
16	30.00	32.60

Specifications:

Current Rating: 3.0A AC/DC
 Voltage rating: 250V AC/DC
 Temperature range: -25°C to +85°C
 Contact resistance: 30mΩ max.
 Insulation resistance: 1000MΩ min.
 Withstand voltage: 1000V AC/minute

Material:

Housing: nylon 66, UL94V-0, white

Mates with: 2006BVT-S (header, vertical, THT type, single row)
 2006BRT-S (header, R/A, THT type, single row)
 2006BVS (header, vertical, SMT type, single row)
 2006BRS (header, R/A, SMT type, single row)

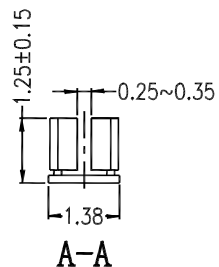
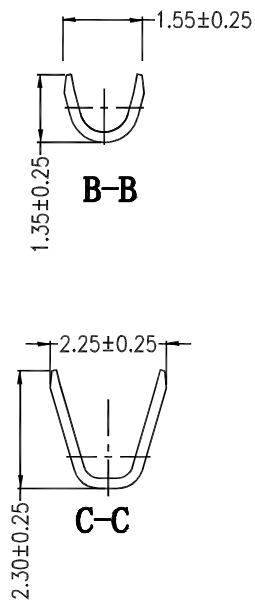
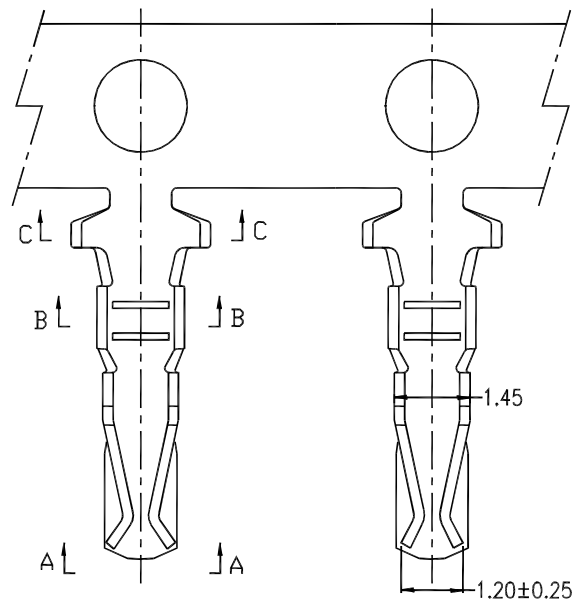
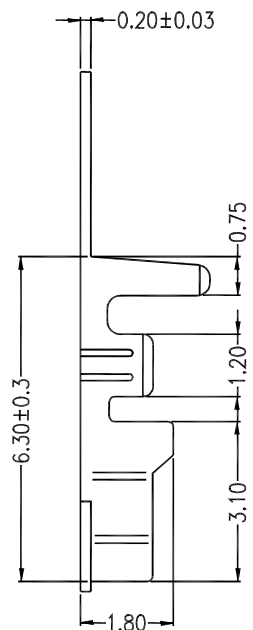
Used with: 2006TF-PT (female terminal)

Part Number Information:

2006 W - XX 00 WH

Series Number
 W: wire connector
 No. of circuits, 02 to 16
 Material: 00-- nylon 66, UL94V-0
 Color: WH -- white

							General Tolerance	Zeakka Electronics				Document No.: ZK-2006W		
							.X ±0.3					Title: HOUSING, FEMALE, CRIMP TYPE, SINGLE ROW, 2.0MM PITCH		
							.XX ±0.2	APPR	CH'K	DRWN	Date	Dimensions	Scale	Version
Date	Version	EC No.	Description	DRWN	CH'K	APPR	.XXX ±0.1	Kai Lee	Cris Wang	Jun Wei	2020.8.8	mm	1:1	A
							THIRD ANGLE PROJECTION							



Specifications:

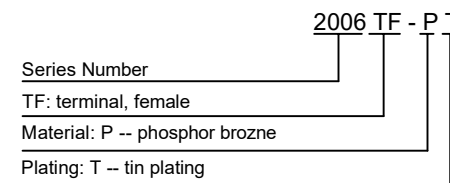
Current Rating: 3.0A AC/DC
 Voltage rating: 250V AC/DC
 Temperature range: -25°C to +85°C
 Contact resistance: 30mΩ max.
 Insulation resistance: 1000MΩ min.
 Withstand voltage: 1000V AC/minute
 Applicable wire: AWG30 - AWG22
 Insulation OD: max 1.45mm

Material:

Phosphor bronze

Used with: 2006W (female housing, single row)

Part Number Information:



							General Tolerance	Zeakka Electronics				Document No.: ZK-2006TF						
							.X ±0.3					Title: TERMINAL, FEMALE, CRIMP TYPE, PHOSPHOR BRONZE, TIN, REEL						
							.XX ±0.2					APPR	CH'K	DRWN	Date	Dimensions	Scale	Version
							.XXX ±0.1					Kai Lee	Cris Wang	Jun Wei	2020.8.8	mm	1:1	A
Date	Version	EC No.	Description	DRWN	CH'K	APPR	THIRD ANGLE PROJECTION											