

Recommended P.C.B Layout  
General Tolerance±0.05

**Specifications:**

Current Rating: 3.0A AC/DC  
Voltage rating: 250V AC/DC  
Temperature range: -25°C to +85°C  
Contact resistance: 10mΩ max.  
Insulation resistance: 1000MΩ min.  
Withstand voltage: 800V AC/minute

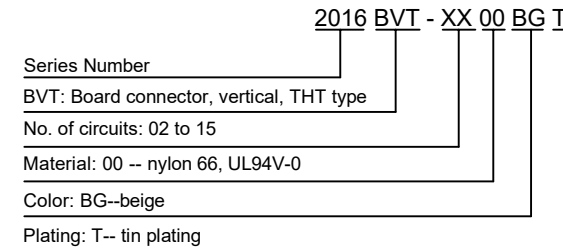
Circuits	Dimensions (mm)		
	A	B	C
2	2.00	6.10	7.30
3	4.00	8.10	9.30
4	6.00	10.10	11.30
5	8.00	12.10	13.30
6	10.00	14.10	15.30
7	12.00	16.10	17.30
8	14.00	18.10	19.30
9	16.00	20.10	21.30
10	18.00	22.10	23.30
11	20.00	24.10	25.30
12	22.00	26.10	27.30
13	24.00	28.10	29.30
14	26.00	30.10	31.30
15	28.00	32.10	33.30

**Material:**

Housing: nylon 66 + 30% GF, UL94V-0, beige  
PIN: brass

Mates with: 2016W (wire connector)

**Part Number Information:**



							General Tolerance	Zeakka Electronics				Document No.: ZK-2016BVT		
							.X ±0.3					Title: HEADER, VERTICAL, THT TYPE, SINGLE ROW, 2.0MM PITCH, TIN		
							.XX ±0.2	APPR	CH'K	DRWN	Date	Dimensions	Scale	Version
Date	Version	EC No.	Description	DRWN	CH'K	APPR	.XXX ±0.1	Kai Lee	Cris Wang	Jun Wei	2020.8.8	mm	1:1	A
							THIRD ANGLE PROJECTION							

Circuits	Dimensions (mm)		
	A	B	C
2	2.00	6.10	7.30
3	4.00	8.10	9.30
4	6.00	10.10	11.30
5	8.00	12.10	13.30
6	10.00	14.10	15.30
7	12.00	16.10	17.30
8	14.00	18.10	19.30
9	16.00	20.10	21.30
10	18.00	22.10	23.30
11	20.00	24.10	25.30
12	22.00	26.10	27.30
13	24.00	28.10	29.30
14	26.00	30.10	31.30
15	28.00	32.10	33.30

**Specifications:**

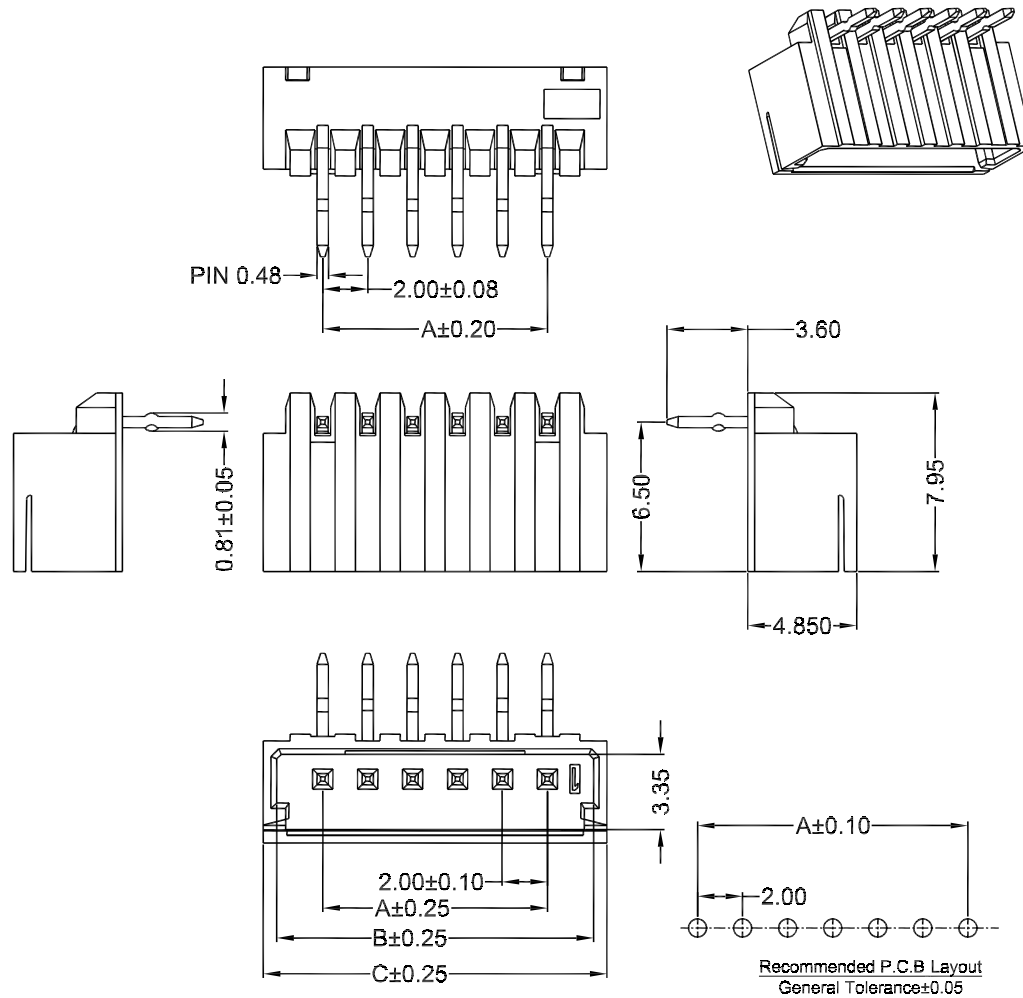
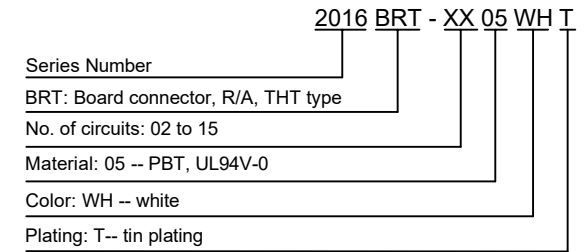
Current Rating: 3.0A AC/DC  
Voltage rating: 250V AC/DC  
Temperature range: -25°C to +85°C  
Contact resistance: 10mΩ max.  
Insulation resistance: 1000MΩ min.  
Withstand voltage: 800V AC/minute

**Material:**

Housing: PBT +15% GF, UL94V-0, white  
PIN: brass

Mates with: 2016W (wire connector)

**Part Number Information:**



Date	Version	EC No.	Description	DRWN	CH'K	APPR	General Tolerance	Zeakka Electronics				Document No.:	ZK-2016BRT		
							.X $\pm 0.3$	APPR	CH'K	DRWN	Date	Title:	HEADER, R/A, THT TYPE, SINGLE ROW, 2.0MM PITCH, TIN		
							.XX $\pm 0.2$					Dimensions	Scale	Version	
							.XXX $\pm 0.1$	Kai Lee	Cris Wang	Jun Wei	2020.8.8	mm	1:1	A	

Circuits	Dimensions (mm)	
	A	B
2	2.00	6.00
3	4.00	8.00
4	6.00	10.00
5	8.00	12.00
6	10.00	14.00
7	12.00	16.00
8	14.00	18.00
9	16.00	20.00
10	18.00	22.00
11	20.00	24.00
12	22.00	26.00
13	24.00	28.00
14	26.00	30.00
15	28.00	32.00

**Specifications:**

Current Rating: 3.0A AC/DC  
Voltage rating: 250V AC/DC  
Temperature range: -25°C to +85°C  
Contact resistance: 10mΩ max.  
Insulation resistance: 1000MΩ min.  
Withstand voltage: 800V AC/minute

**Material:**

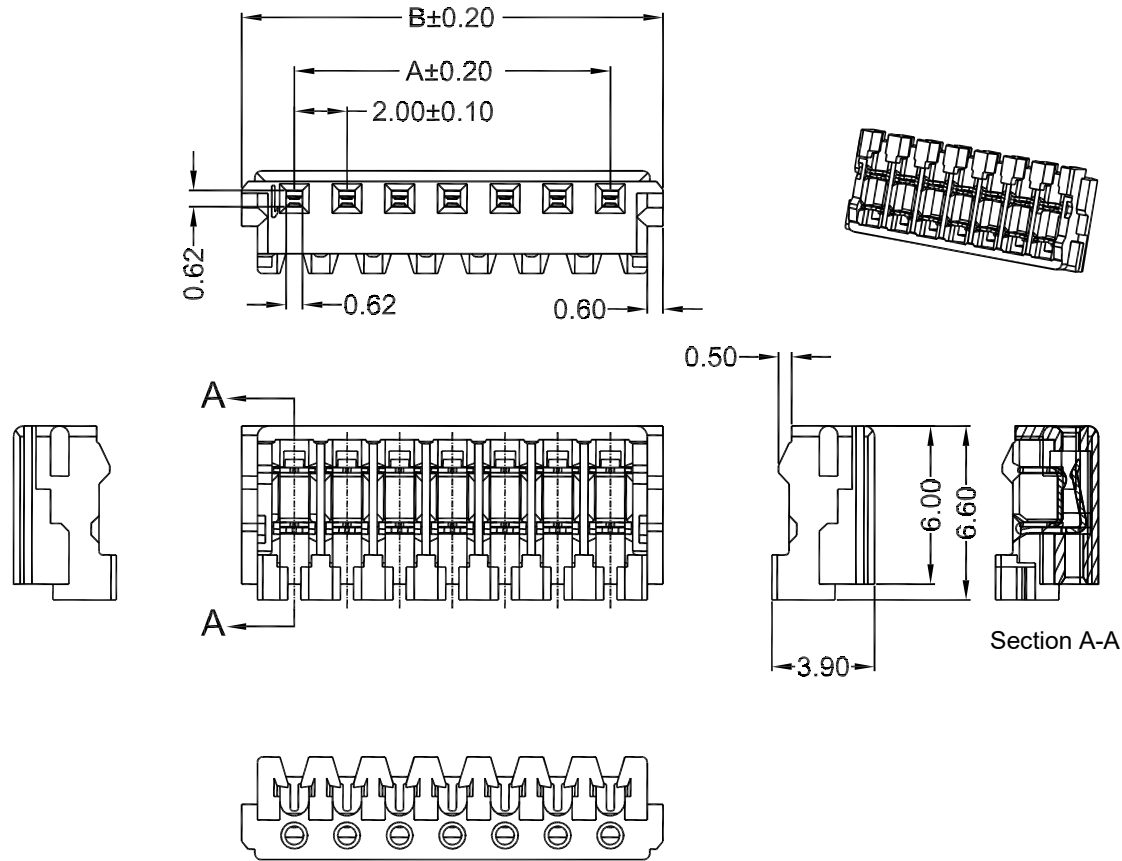
Housing: nylon 66 + 15% GF, UL94V-0, beige  
Contact: brass

**Mates with:** 2016BVT (header, vertical, THT type)  
2016BRT (header, R/A, THT type)

**Part Number Information:**

2016 W - XX 00 BG

Series Number \_\_\_\_\_  
W: wire connector \_\_\_\_\_  
No. of circuits: 02 to 15 \_\_\_\_\_  
Material: 00-- nylon 66, UL94V-0 \_\_\_\_\_  
Color: BG -- beige \_\_\_\_\_



							General Tolerance	<h1>Zeakka Electronics</h1>				Document No.: ZK-2016W		
							.X ±0.3					Title: HOUSING, IDT TYPE, SINGLE ROW, 2.0MM PITCH		
							.XX ±0.2					APPR	CH'K	DRWN
Date	Version	EC No.	Description	DRWN	CH'K	APPR	.XXX ±0.1	Kai Lee	Cris Wang	Jun Wei	2020.8.8	mm	1:1	A

THIRD ANGLE PROJECTION