

**Specifications:**

Current Rating: 1.0A AC/DC  
 Voltage rating: 125V AC/DC  
 Temperature range: -25°C to +85°C  
 Contact resistance: 20mΩ max.  
 Insulation resistance: 100MΩ min.  
 Withstand voltage: 500V AC/minute

**Material:**

Housing: nylon 66, UL94V-0, red/white

**Mates with:** 2509WM (wire connector, male)

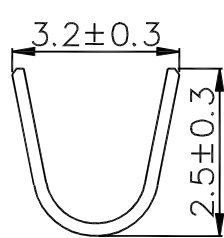
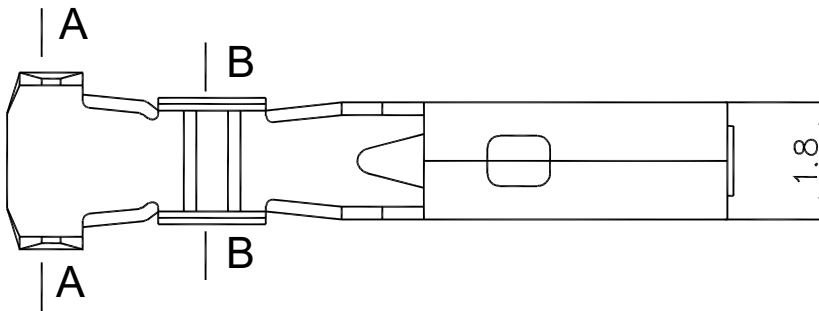
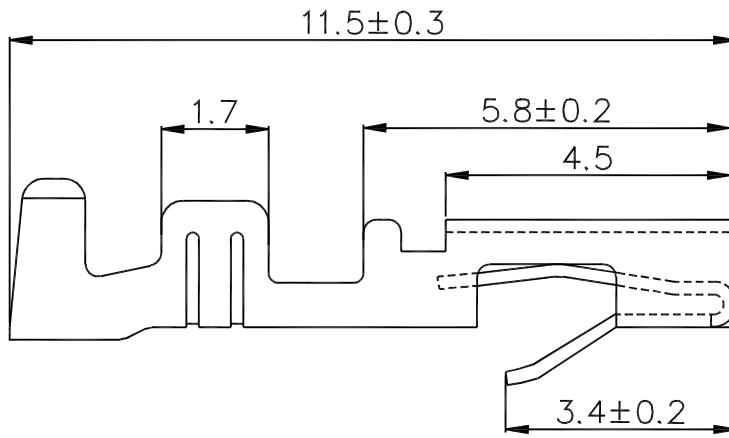
**Used with:** 2509TF-PT (female terminal)

**Part Number Information:**

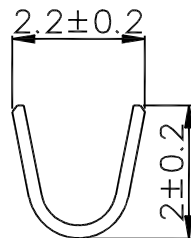
2509 WF - XX 00 XX

Series Number \_\_\_\_\_  
 WF: wire connector, female \_\_\_\_\_  
 No. of circuits: 02 -- 2 pin \_\_\_\_\_  
 Material: 00-- nylon 66, UL94V-0 \_\_\_\_\_  
 Color: RE -- red, WH -- white \_\_\_\_\_

							General Tolerance	<h1>Zeakka Electronics</h1>				Document No.: ZK-2509WF						
							.X ±0.3					Title: HOUSING, FEMALE, CRIMP TYPE, SINGLE ROW, 2.5MM PITCH						
							.XX ±0.2					APPR	CH'K	DRWN	Date	Dimensions	Scale	Version
							.XXX ±0.1					Kai Lee	Cris Wang	Jun Wei	2020.8.8	mm	1:1	A
Date	Version	EC No.	Description	DRWN	CH'K	APPR	THIRD ANGLE PROJECTION											



A - A



B - B

**Specifications:**

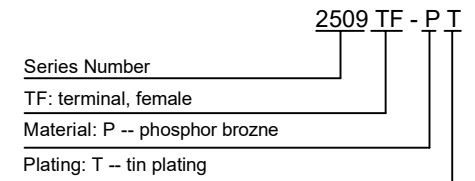
Current Rating: 3.0A AC/DC  
 Voltage rating: 250V AC/DC  
 Temperature range: -25°C to +85°C  
 Contact resistance: 20mΩ max.  
 Insulation resistance: 1000MΩ min.  
 Withstand voltage: 1000V AC/minute  
 Applicable wire: AWG28 - AWG22

**Material:**

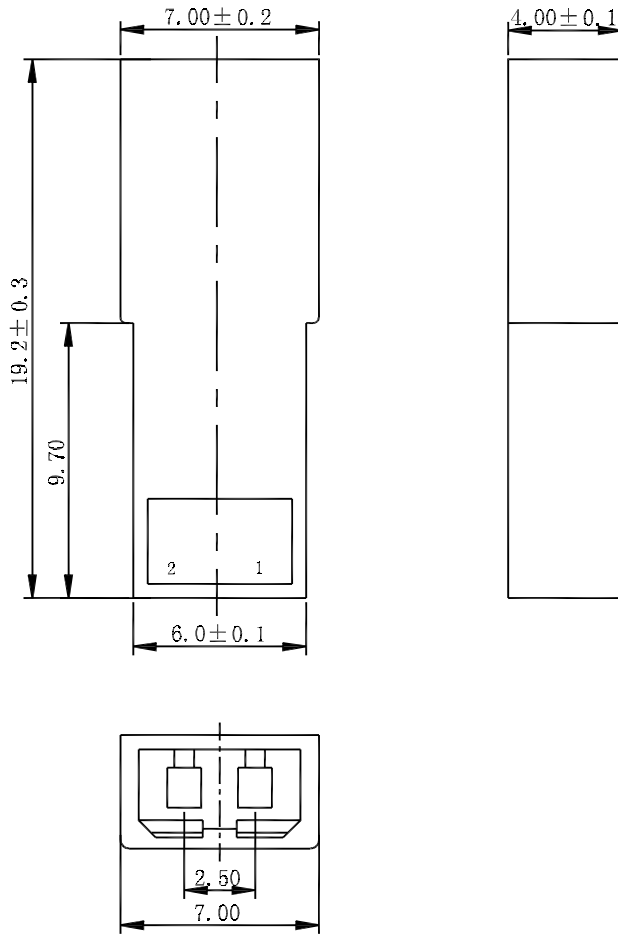
Phosphor bronze

Used with: 2509WF (wire connector, female)

**Part Number Information:**



							General Tolerance	<b>Zeakka Electronics</b>				Document No.: ZK-2509TF						
							.X ±0.3					Title: TERMINAL, FEMALE, CRIMP TYPE, PHOSPHOR BRONZE, TIN, REEL						
							.XX ±0.2					APPR	CH'K	DRWN	Date	Dimensions	Scale	Version
							.XXX ±0.1					Kai Lee	Cris Wang	Jun Wei	2020.8.8	mm	1:1	A
Date	Version	EC No.	Description	DRWN	CH'K	APPR	THIRD ANGLE PROJECTION											



**Specifications:**

Current Rating: 3.0A AC/DC  
 Voltage rating: 250V AC/DC  
 Temperature range: -25°C to +85°C  
 Contact resistance: 20mΩ max.  
 Insulation resistance: 1000MΩ min.  
 Withstand voltage: 1000V AC/minute

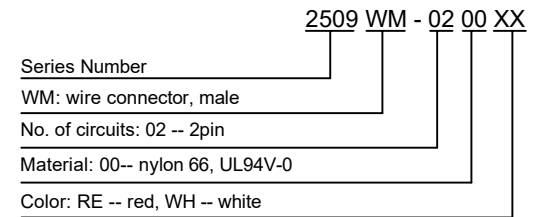
**Material:**

Housing: nylon 66, UL94V-0, red/white

**Mates with:** 2509WF (wire connector, female)

**Used with:** 2509TM-PT (male terminal)

**Part Number Information:**



							General Tolerance	<b>Zeakka Electronics</b>				Document No.: ZK-2509WM						
							.X ±0.3					Title: HOUSING, MALE, CRIMP TYPE, SINGLE ROW, 2.5MM PITCH						
							.XX ±0.2					APPR	CH'K	DRWN	Date	Dimensions	Scale	Version
							.XXX ±0.1					Kai Lee	Cris Wang	Jun Wei	2020.8.8	mm	1:1	A
Date	Version	EC No.	Description	DRWN	CH'K	APPR	THIRD ANGLE PROJECTION											

**Specifications:**

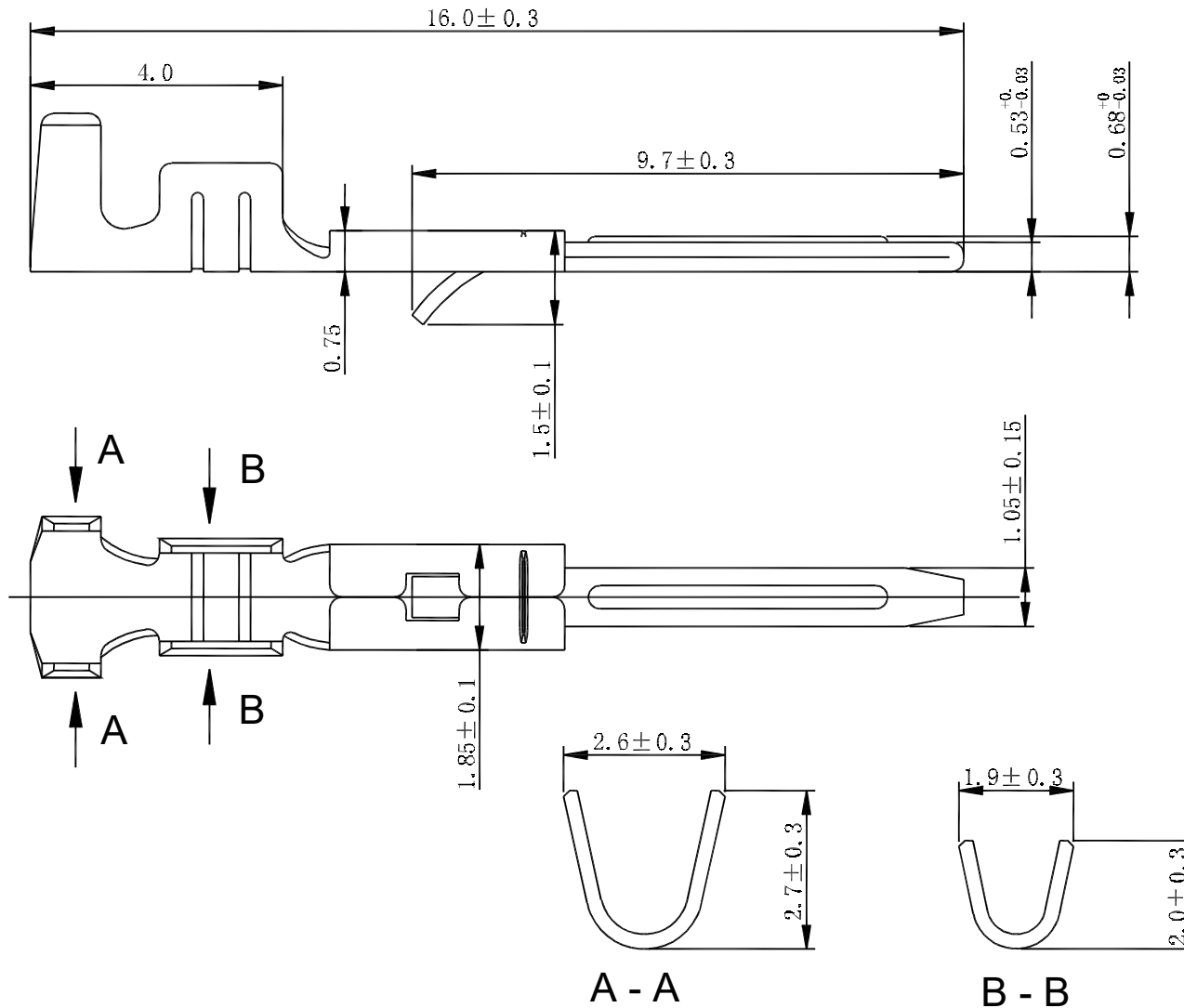
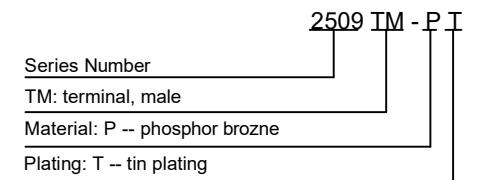
Current Rating: 3.0A AC/DC  
 Voltage rating: 250V AC/DC  
 Temperature range: -25°C to +85°C  
 Contact resistance: 20mΩ max.  
 Insulation resistance: 1000MΩ min.  
 Withstand voltage: 1000V AC/minute  
 Applicable wire: AWG28 - AWG22

**Material:**

Phosphor bronze

Used with: 2509WM (wire connector, male)

**Part Number Information:**



							General Tolerance	<b>Zeakka Electronics</b>				Document No.: ZK-2509TM						
							.X ±0.3					Title: TERMINAL, MALE, CRIMP TYPE, PHOSPHOR BRONZE, TIN, REEL						
							.XX ±0.2					APPR	CH'K	DRWN	Date	Dimensions	Scale	Version
							.XXX ±0.1					Kai Lee	Cris Wang	Jun Wei	2020.8.8	mm	1:1	A
Date	Version	EC No.	Description	DRWN	CH'K	APPR	THIRD ANGLE PROJECTION											