

Specifications:

Current Rating: 1.0A AC/DC
 Voltage rating: 1400V AC/DC
 Temperature range: -25°C to +85°C
 Contact resistance: 10mΩ max.
 Insulation resistance: 1000MΩ min.
 Withstand voltage: 3800V AC/minute
 Package: tape & reel

Material:

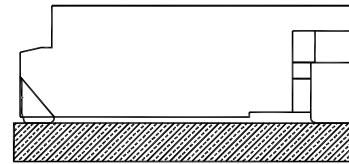
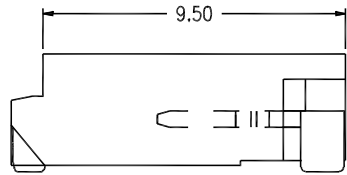
Housing: nylon 9T, UL94V-0, beige
 PIN: brass
 Solder tab: brass

Mates with: 3501WF (wire connector, female)

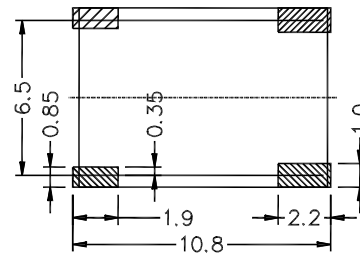
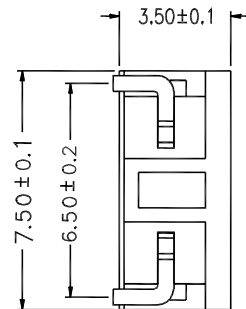
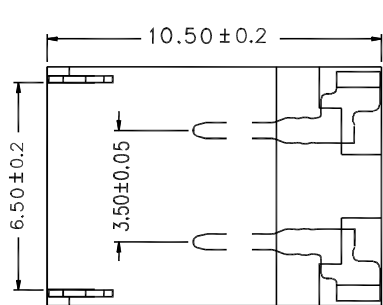
Part Number Information:

3501 BRS - 02 09 BG T

Series Number
 BRS: Board connector, R/A, SMT type
 No. of circuits: 02 pin
 Material: 09 -- nylon 9T, UL94V-0
 Color: BG--beige
 Plating: T-- tin plating



ASSEMBLY LAYOUT



Recommended P.C.B Layout

							General Tolerance	<h1>Zeakka Electronics</h1>				Document No.: ZK-3501BRS						
							.X ±0.3					Title: HEADER, R/A, SMT TYPE, SINGLE ROW, 3.50MM PITCH, TIN, REEL						
							.XX ±0.2					APPR	CH'K	DRWN	Date	Dimensions	Scale	Version
							.XXX ±0.1					Kai Lee	Cris Wang	Jun Wei	2020.8.8	mm	1:1	A
Date	Version	EC No.	Description	DRWN	CH'K	APPR	THIRD ANGLE PROJECTION											

Specifications:

Current Rating: 1.0A AC/DC
 Voltage rating: 1400V AC/DC
 Temperature range: -25°C to +85°C
 Contact resistance: 10mΩ max.
 Insulation resistance: 1000MΩ min.
 Withstand voltage: 3800V AC/minute

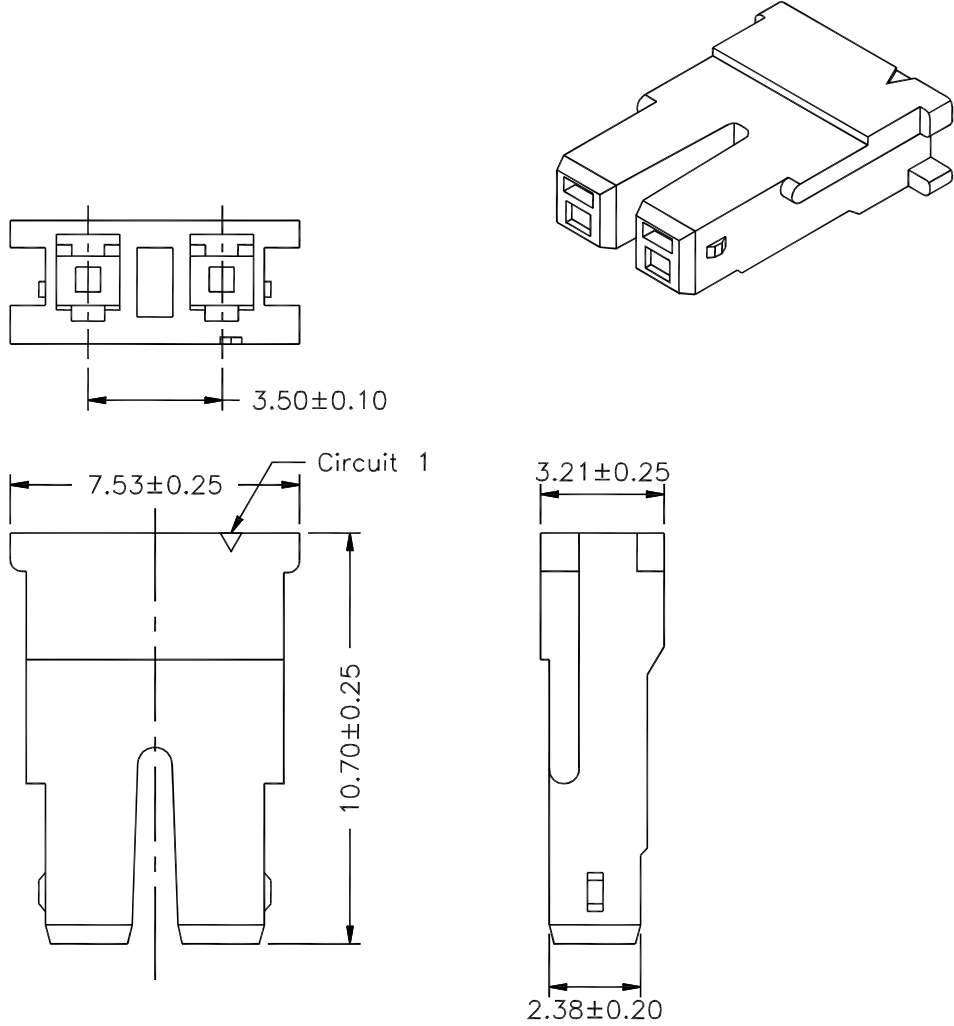
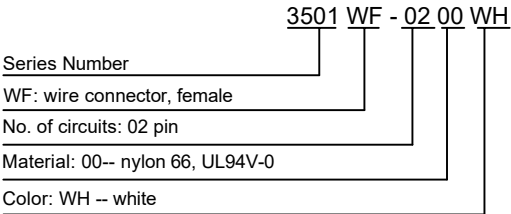
Material:

Housing: nylon 66, UL94V-0, white

Mates with: 3501BRS (header, R/A, SMT type)
 3501WM (wire connector, male)

Used with: 3501TF-PT (female terminal)

Part Number Information:



							General Tolerance	<h1>Zeakka Electronics</h1>				Document No.: ZK-3501WF						
							.X ±0.3					Title: HOUSING, FEMALE, CRIMP TYPE, SINGLE ROW, 3.50MM PITCH						
							.XX ±0.2					APPR	CH'K	DRWN	Date	Dimensions	Scale	Version
							.XXX ±0.1					Kai Lee	Cris Wang	Jun Wei	2020.8.8	mm	1:1	A
Date	Version	EC No.	Description	DRWN	CH'K	APPR	THIRD ANGLE PROJECTION											

Specifications:

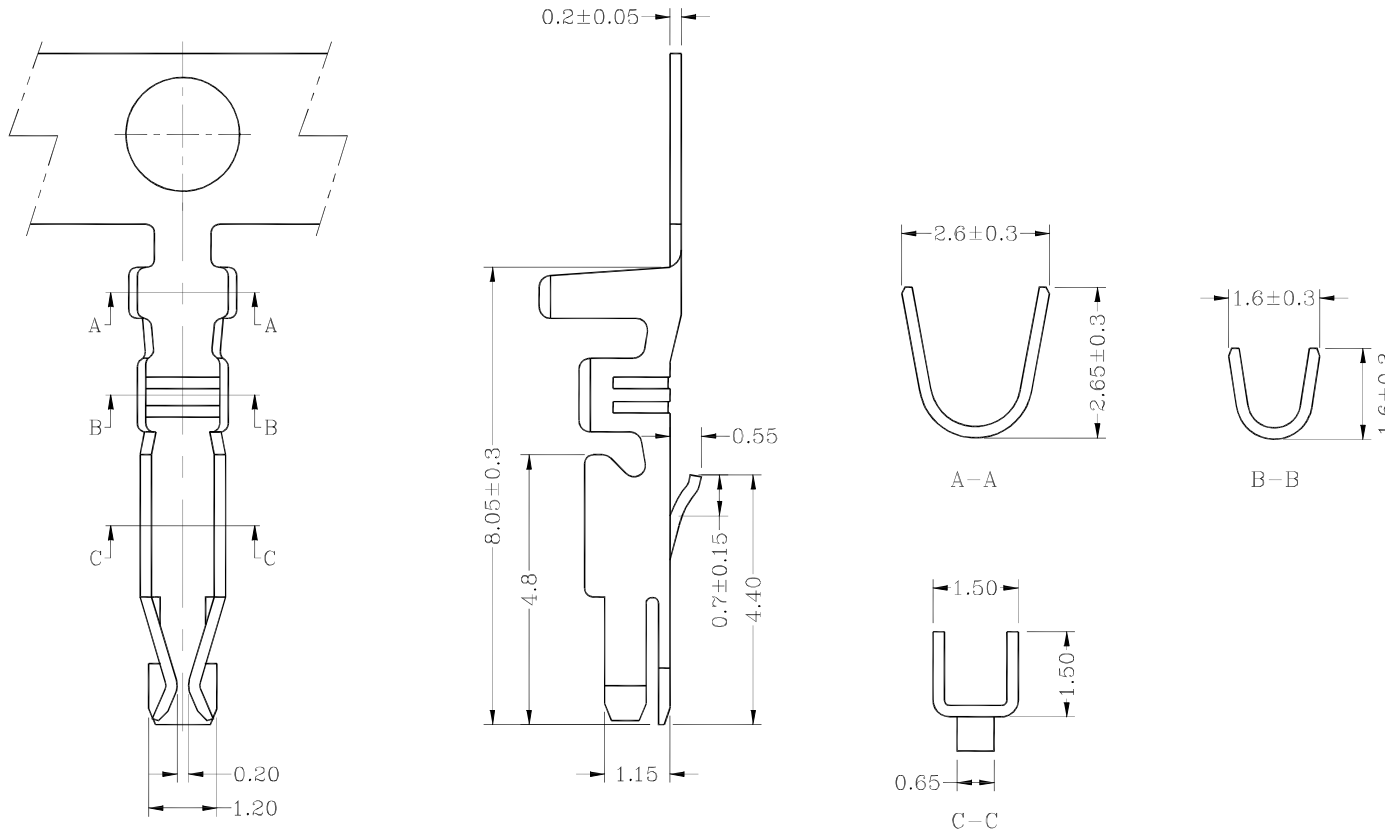
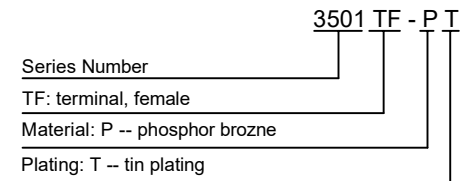
Current Rating: 1.0A AC/DC
 Voltage rating: 1400V AC/DC
 Temperature range: -25°C to +85°C
 Contact resistance: 10mΩ max.
 Insulation resistance: 1000MΩ min.
 Withstand voltage: 3800V AC/minute
 Applicable wire: AWG28 - AWG24
 Insulation OD: max 1.7mm
 Package: reel

Material:

Phosphor bronze

Used with: 3501WF (wire connector, female)

Part Number Information:



							General Tolerance	Zeakka Electronics				Document No.: ZK-3501TF						
							.X ±0.3					Title: TERMINAL, FEMALE, CRIMP TYPE, PHOSPHOR BRONZE, TIN, REEL						
							.XX ±0.2					APPR	CH'K	DRWN	Date	Dimensions	Scale	Version
							.XXX ±0.1					Kai Lee	Cris Wang	Jun Wei	2020.8.8	mm	1:1	A
Date	Version	EC No.	Description	DRWN	CH'K	APPR	THIRD ANGLE PROJECTION											