

**Specifications:**

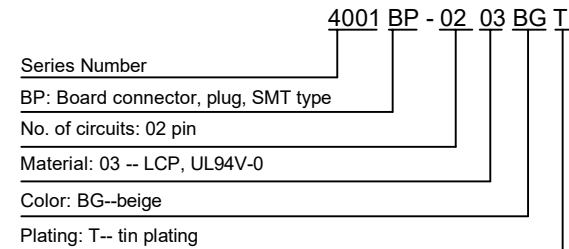
Current Rating: 3.0A AC/DC  
 Voltage rating: 300V AC/DC  
 Temperature range: -55°C to +105°C  
 Contact resistance: 20mΩ max.  
 Insulation resistance: 1000MΩ min.  
 Withstand voltage: 1700V AC/minute  
 Package: tape & reel

**Material:**

Housing: LCP, UL94V-0, beige  
 PIN: phosphor bronze  
 Solder tab: brass

Mates with: 4001W (wire connector)

**Part Number Information:**



							General Tolerance	<h1>Zeakka Electronics</h1>				Document No.: ZK-4001BP						
							.X ±0.3					Title: PCB PLUG, SMT TYPE, SINGLE ROW, 4.0MM PITCH, 2 PIN, TIN						
							.XX ±0.2					APPR	CH'K	DRWN	Date	Dimensions	Scale	Version
							.XXX ±0.1					Kai Lee	Cris Wang	Jun Wei	2020.8.8	mm	1:1	A
Date	Version	EC No.	Description	DRWN	CH'K	APPR	THIRD ANGLE PROJECTION											

**Specifications:**

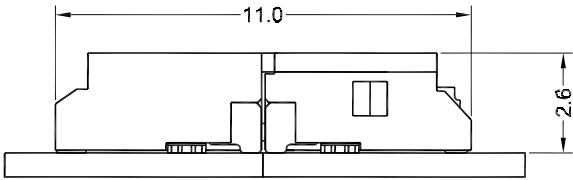
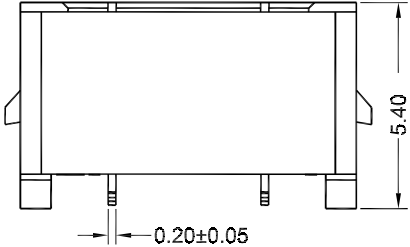
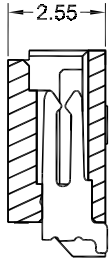
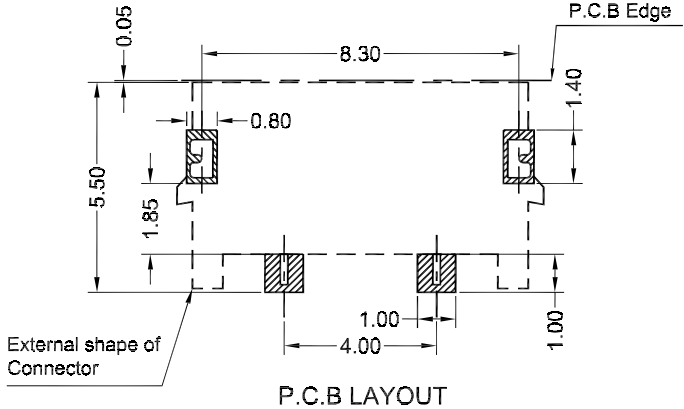
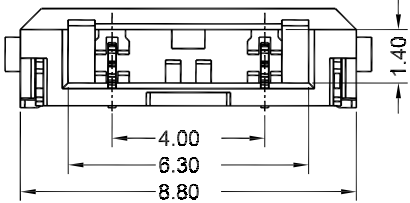
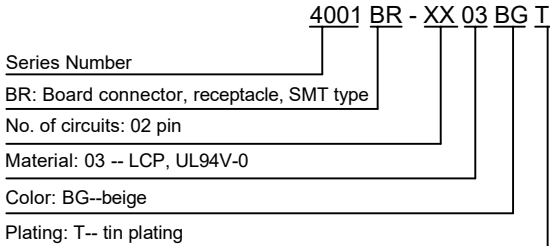
Current Rating: 3.0A AC/DC  
 Voltage rating: 300V AC/DC  
 Temperature range: -55°C to +105°C  
 Contact resistance: 20mΩ max.  
 Insulation resistance: 1000MΩ min.  
 Withstand voltage: 1700V AC/minute  
 Package: tape & reel

**Material:**

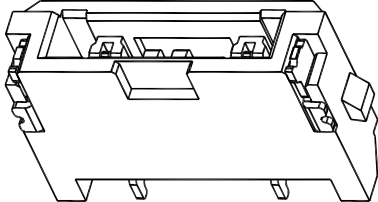
Housing: LCP, UL94V-0, beige  
 PIN: phosphor bronze  
 Solder tab: brass

Mates with: 4001W (wire connector)

**Part Number Information:**

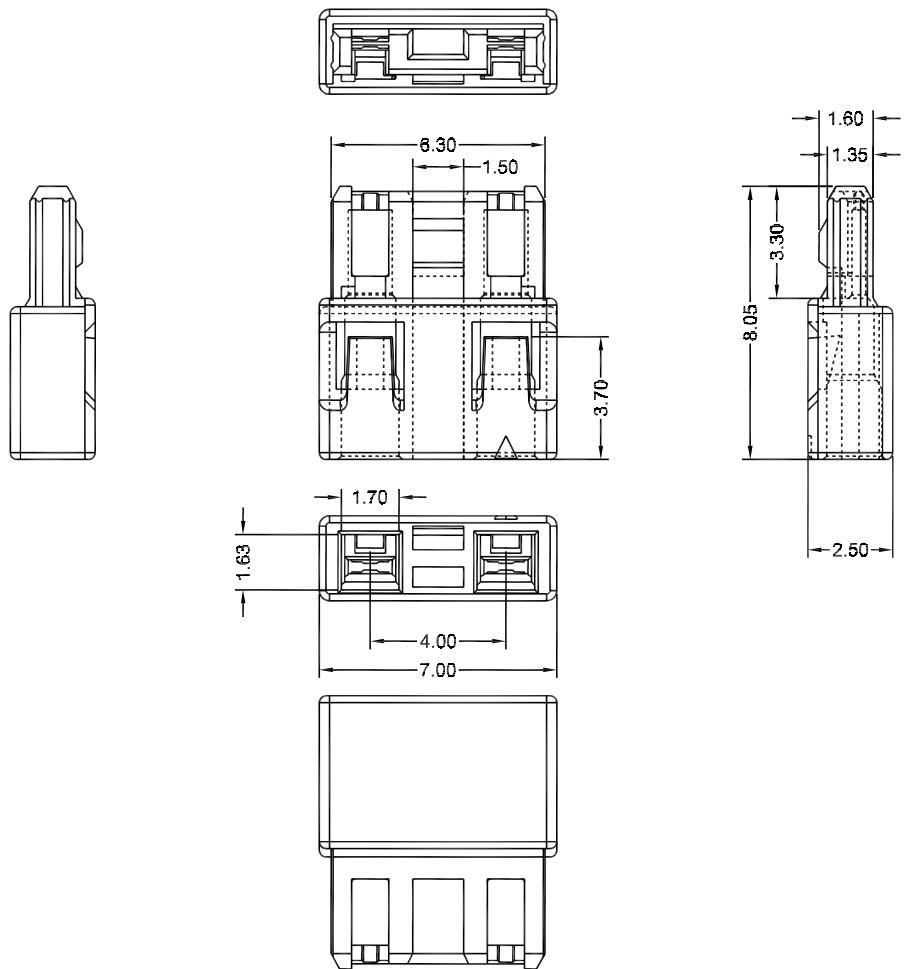


Assembly Layout



							General Tolerance	<h1 style="text-align: center;">Zeakka Electronics</h1>				Document No.: ZK-4001BR		
							.X ±0.3					Title: PCB RECEPTACLE, SMT TYPE, SINGLE ROW, 4.0MM PITCH, 2 PIN, TIN		
							.XX ±0.2					APPR	CH'K	DRWN
Date	Version	EC No.	Description	DRWN	CH'K	APPR	.XXX ±0.1	Kai Lee	Cris Wang	Jun Wei	2020.8.8	mm	1:1	A

THIRD ANGLE PROJECTION



**Specifications:**

Current Rating: 3.0A AC/DC  
 Voltage rating: 300V AC/DC  
 Temperature range: -55°C to +105°C  
 Contact resistance: 20mΩ max.  
 Insulation resistance: 1000MΩ min.  
 Withstand voltage: 1700V AC/minute

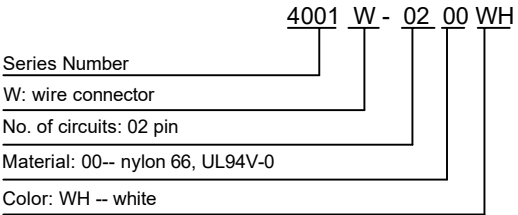
**Material:**

Housing: nylon 66, UL94V-0, white

**Mates with:** 4001BR (board connector, receptacle, SMT type)  
 4001BP (board connector, plug, SMT type)

**Used with:** 4001T-PT (terminal)

**Part Number Information:**



							General Tolerance	<h1>Zeakka Electronics</h1>				Document No.: ZK-4001W		
							.X ±0.3					Title: HOUSING, CRIMP TYPE, SINGLE ROW, 4.0MM PITCH, 2 PIN		
							.XX ±0.2					APPR	CH'K	DRWN
Date	Version	EC No.	Description	DRWN	CH'K	APPR	.XXX ±0.1	Kai Lee	Cris Wang	Jun Wei	2020.8.8	mm	1:1	A



**Specifications:**

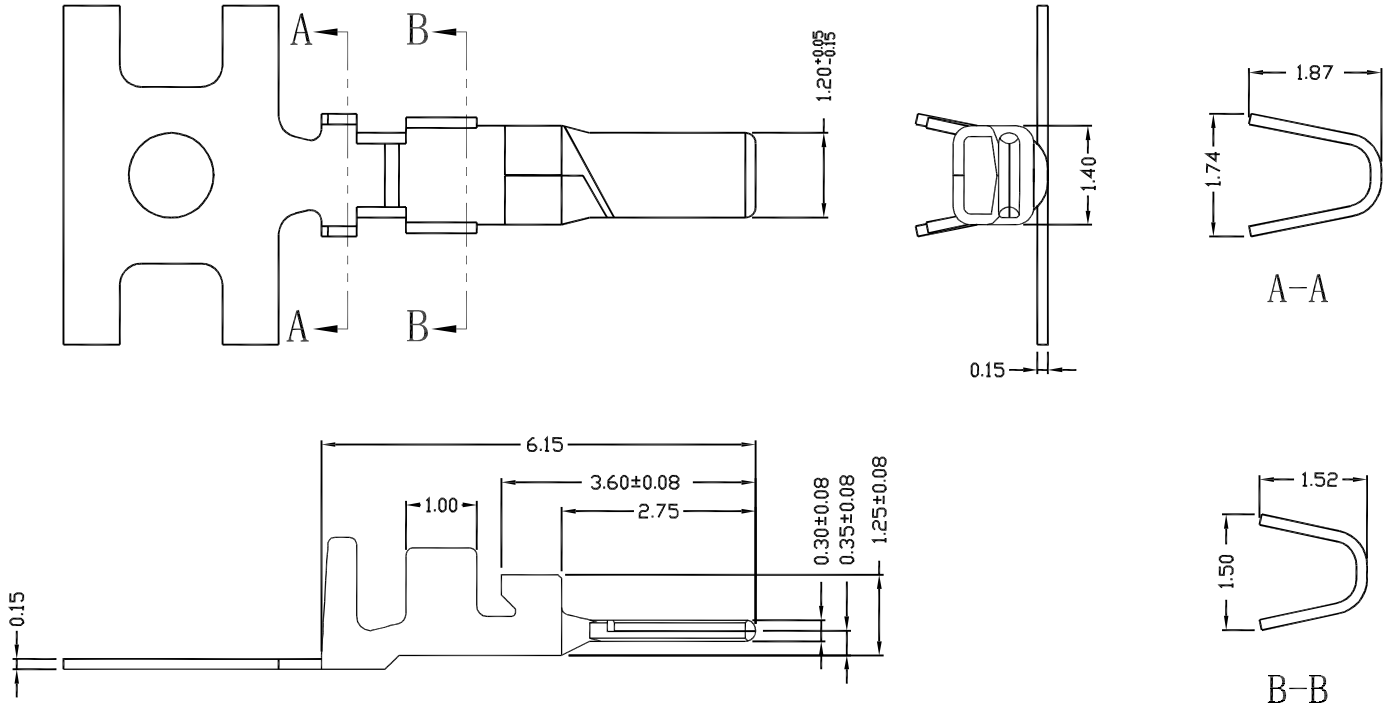
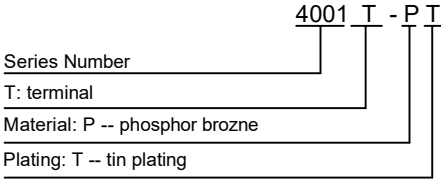
Current Rating: 3.0A AC/DC  
 Voltage rating: 300V AC/DC  
 Temperature range: -55°C to +105°C  
 Contact resistance: 20mΩ max.  
 Insulation resistance: 1000MΩ min.  
 Withstand voltage: 1700V AC/minute  
 Applicable wire: AWG26 - AWG22  
 Insulation OD: max 1.30mm  
 Package: reel

**Material:**

Phosphor bronze

Used with: 4001W (wire connector)

**Part Number Information:**



							General Tolerance	<b>Zeakka Electronics</b>				Document No.: ZK-4001T						
							.X ±0.3					Title: TERMINAL, FEMALE, CRIMP TYPE, PHOSPHOR BRONZE, TIN, REEL						
							.XX ±0.2					APPR	CH'K	DRWN	Date	Dimensions	Scale	Version
							.XXX ±0.1					Kai Lee	Cris Wang	Jun Wei	2020.8.8	mm	1:1	A
Date	Version	EC No.	Description	DRWN	CH'K	APPR	THIRD ANGLE PROJECTION											